

Mobile Bar & Buffet Station



Versatile, Innovative... A Perfect Fit.
Ideal for Interior and Exterior Use and Built to Last.
Proudly manufactured in the UK.



| www.sicoinc.com |

Mobile Bar Features

Compact Laminate Work Surfaces

Heavy Duty Steel Epoxy Finish Frame

Optional Speed Rails available

Bump Stops to prevent damage to the Fascia Panels



Compact Laminate Fascia Panels

Optional Glass Storage Rack (LH & RH available)

Optional & GN Pan Cutout

Heavy Duty Ø 125 cm Swivel Castors

Work Surfaces & Fascia

All Work Surfaces and Fascia Panels are made with extremely durable 12mm Solid Compact Laminate. Stronger & more robust than plywood, MDF or particleboard. Water resistant with excellent stain resistance, making the Bar ideal for indoor & outdoor use.

Bump Stops:



All Fascia Panels are protected by Compact Laminate Bump Stops. The purpose of these Bump Stops is to secure the Fascia Panels to the Frame whilst also protecting them from collision damage.

Frame

16-Gauge Steel Tube:

Manufactured from high strength steel tube finished in hard wearing Epoxy Powder Coat for longevity.

Flexibility is incorporated into the modular frame design to allow for contained motion and the way mobile bar & buffet stations are used today.

Serial Number:

All SICO products are identified by a

unique Barcode Serial Number attached to their frame for easy identification.

Swivel Castors:

Fitted with 4 x Ø 125 cm [Ø 5 in] swivel castors fitted with non-marking tyres with a wide surface area for smoother rolling, and Plastic thread guards which prevent the accumulation of debris so, allowing the wheels to rotate freely.



mobile unit for efficient single person set up & easy storage, resulting in considerable savings in labour & time. No need for additional transport carts, or heavy lifting.

Warranty

Protected by a 3-year warranty against manufacturer's defects. Visit www.sicoinc.com for all warranty details.

Space Design

Take advantage of our FREE space design service to determine the optimal layout and number of products for your space.

Transport & Storage

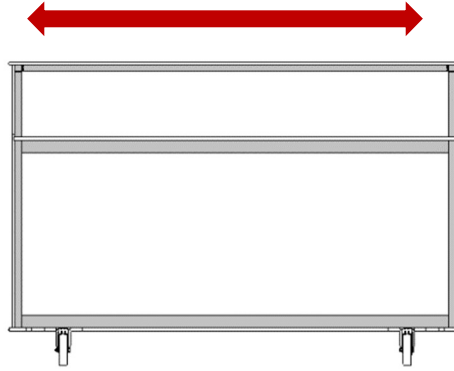
Self-Storing Mobile Unit:

Designed to be a self-contained

OPTIONS

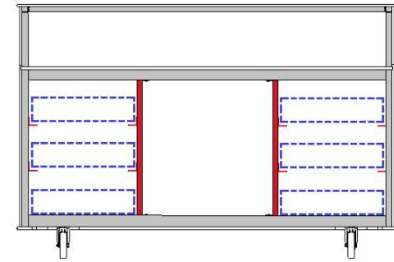
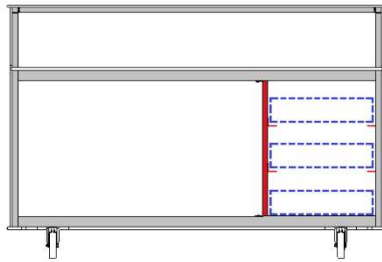
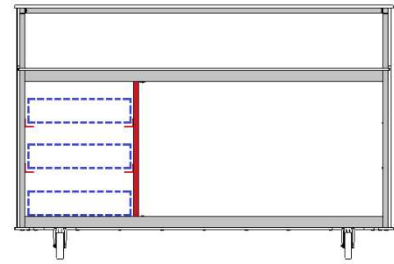
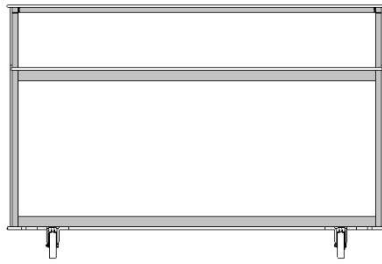
Choose Length

Choose from 120 cm or 180 cm long options.



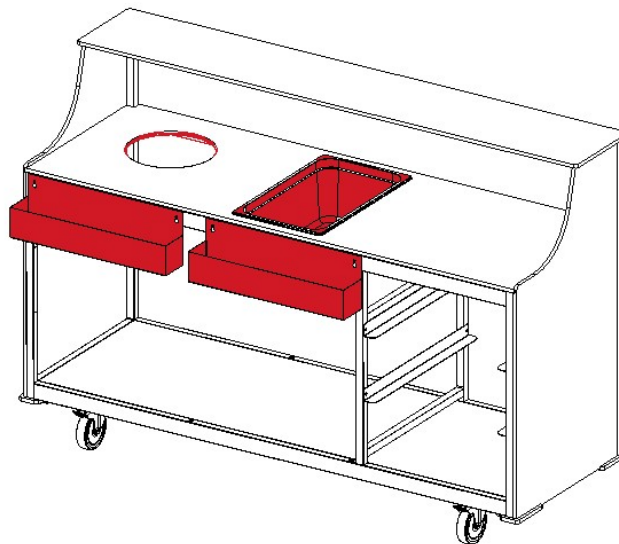
Choose Glass Rack

Choose from none, single, or twin options.



Choose Accessories

Choose from none, GN Pan, Speed Rails, Waste Cut-out, etc



OPTIONS Cont'd



PLAIN



WASTE - LH



WASTE - RH

Choose Worktop Layout

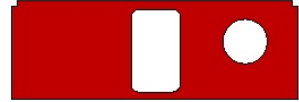
Choose from a wide variety of Worktop Configuration Options & Orientations.



GN 1/1



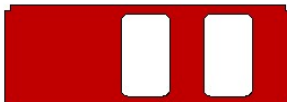
GN 1/1 & WASTE - LH



GN 1/1 & WASTE - RH



DUAL GN 1/1 - LH



DUAL GN 1/1 - RH



TRIPLE GN 1/1



DUAL GN 1/1 & WASTE - LH



DUAL GN 1/1 & WASTE - RH

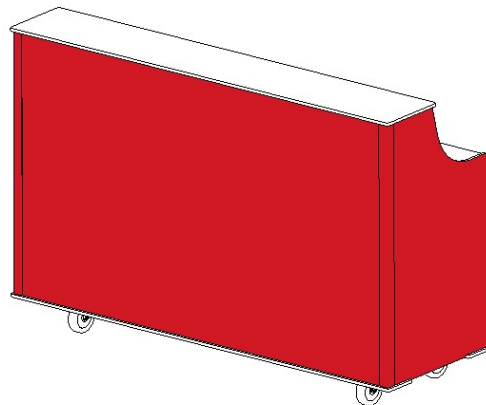
Choose Work Surface Finish

Choose from any of the SICO standard range of 5 compact laminate colours.

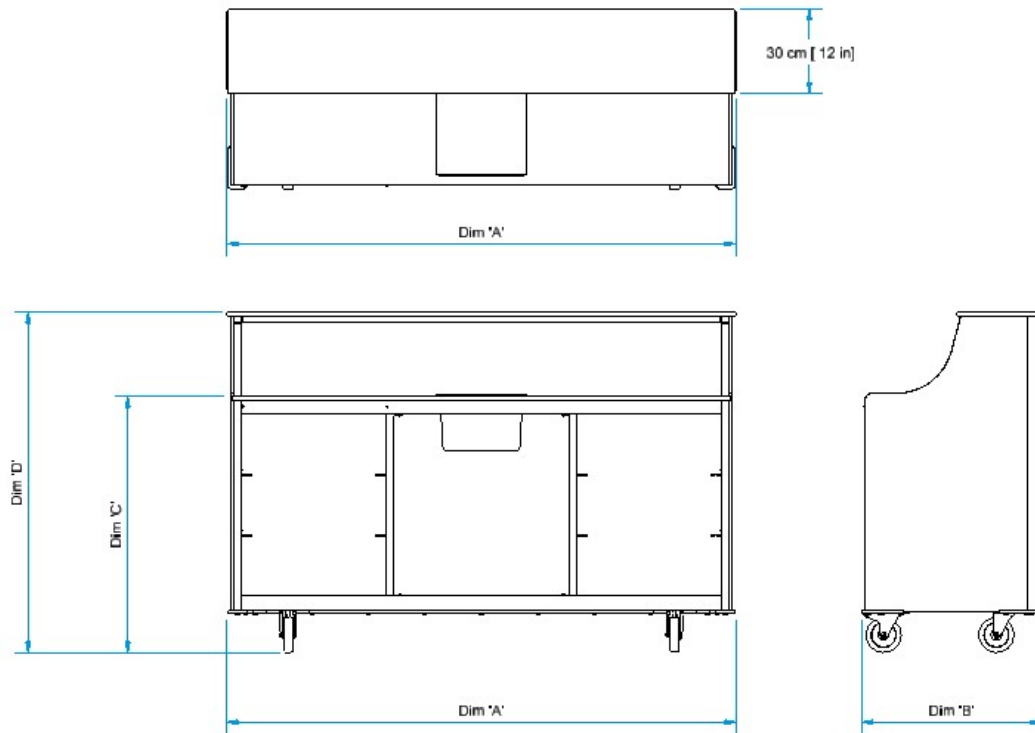


Choose Exterior Fascia Finish

Choose from any of the SICO standard range of 5 compact laminate colours.



Mobile Bar



Mobile Bar & Buffet Unit – Base Model

| Model | Length 'A' cm | Depth 'B' cm | Worktop Height 'C' cm | Shelf Height 'D' cm | Estimated Weight kg |
|--------|---------------|--------------|-----------------------|---------------------|---------------------|
| 120 cm | 120 [47 ½ in] | 64 [25 ¼ in] | 90 [35 1/2 in] | 120 [47 1/4 in] | 122 |
| 180 cm | 307 [10 ft] | 150 [52in] | 69 [27 in] | 39 [13.8 in] | 172 |



GN Pan. Option – available in multiple sizes & Depths



Speed Rail Option

WANT TO FIND OUT MORE?

Visit www.sicoinc.com to see more of our wide variety of innovative products.



Mobile Bar supplied for outdoor entertainment to Mas de Torrent, Girona, Spain.



SICO Incorporated –
Global Headquarters
SICO America Inc.
☎ 1 800 328 6138
✉ sales@sicoinc.com

SICO Asia PTE Ltd
☎ (65) 6500 0800
✉ sales@sicoasia.com

SICO Europe Ltd
☎ +44 (0) 1303 234 000
✉ sales@sico-europe.com

SICO Japan Inc.
☎ +81(3) 3288 0145
✉ info@sico-japan.com

SICO Middle East DMCC
☎ (971) 4 422 8259
✉ sales@sico-me.com

SICO South Pacific Ltd
☎ +61 (2) 4336 1333
✉ sales@sicosp.com.au